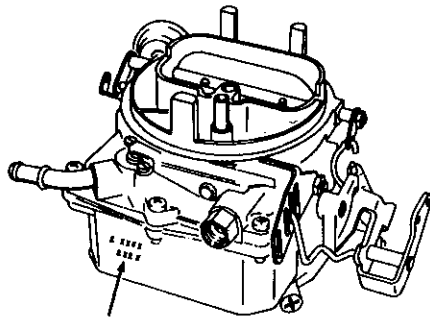


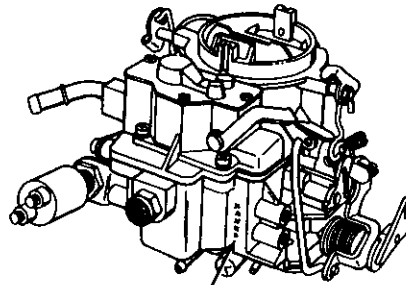
## CARBURETOR MODEL-NUMBER IDENTIFICATION

**HOLLEY 2 BBL, 2209, 2210, 2245**



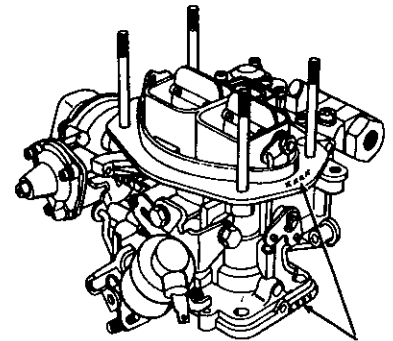
STAMPED NUMBER

**HOLLEY 2 BBL, 2280**



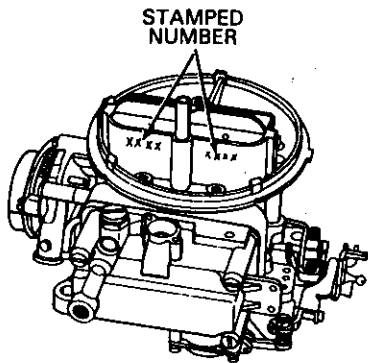
STAMPED NUMBER

**HOLLEY 2 BBL, 5200, 5210, 5220, 6500, 6510, 6520**



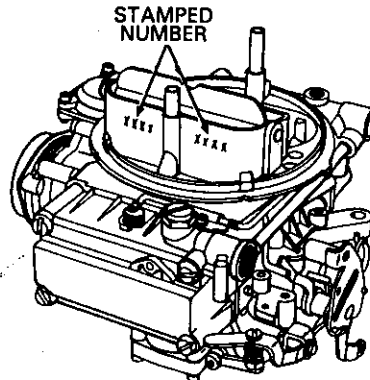
STAMPED NUMBER

**HOLLEY 2 BBL, 2300, 2380**



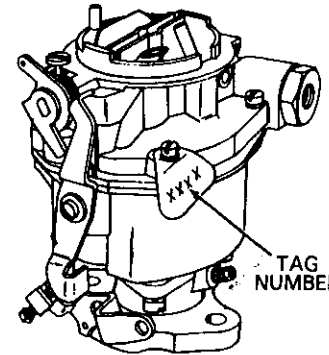
STAMPED NUMBER

**HOLLEY 4 BBL, 4150, 4160, 4165, 4175, 4180, 4190**



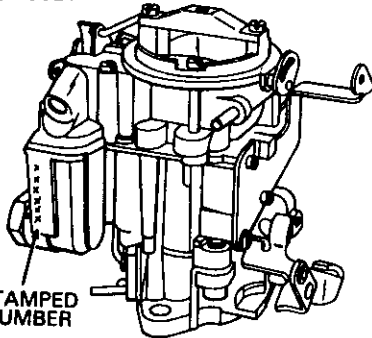
STAMPED NUMBER

**ROCHESTER 1 BBL, 8, BC, BV**



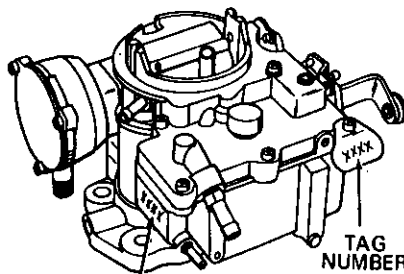
TAG NUMBER

**ROCHESTER 1 BBL, M, MV, 1ME, 1MV, MONOJET**



STAMPED NUMBER

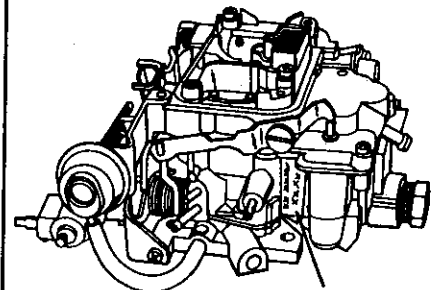
**ROCHESTER 2 BBL, TWO-JET, 2G, 2GC, 2GV, 2GE**



STAMPED NUMBER

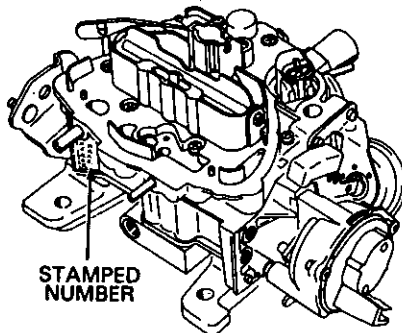
TAG NUMBER

**ROCHESTER 2 BBL VARAJET, 2SE, E2SE**



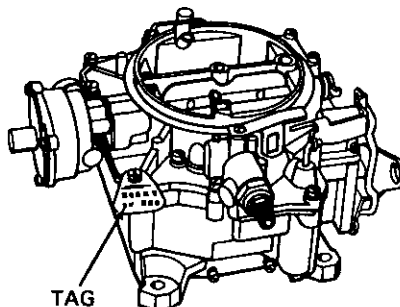
STAMPED NUMBER

**ROCHESTER 2 BBL, DUALJET, 210, M2MC, M2ME, E2ME, E2MC**



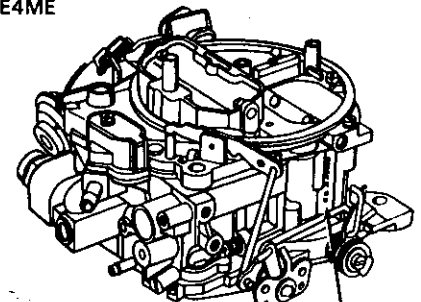
STAMPED NUMBER

**ROCHESTER 4 BBL, 4G, 4GC**



TAG NUMBER

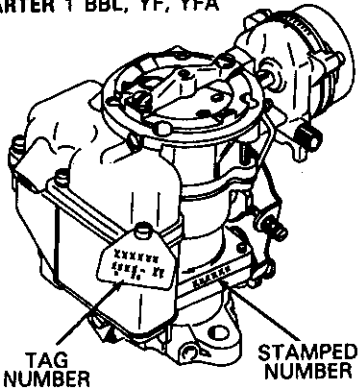
**ROCHESTER 4 BBL, QUADRAJET, 2MC, 4M, 4MC, 4MV, M4MC, M4MV, E4MC, E4ME**



STAMPED NUMBER

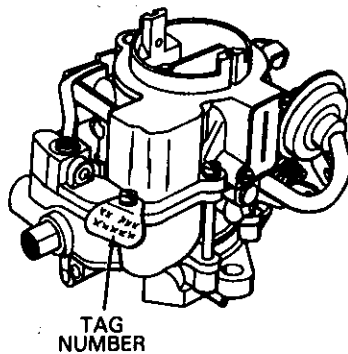
## CARBURETOR MODEL-NUMBER IDENTIFICATION

**CARTER 1 BBL, YF, YFA**



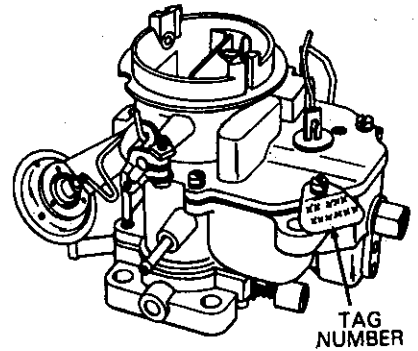
TAG NUMBER  
STAMPED NUMBER

**CARTER 1 BBL, BBS**



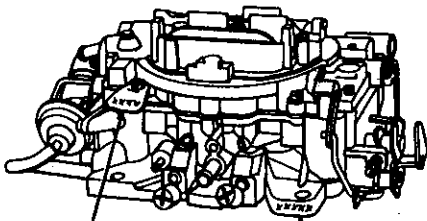
TAG NUMBER

**CARTER 2 BBL, BBD**



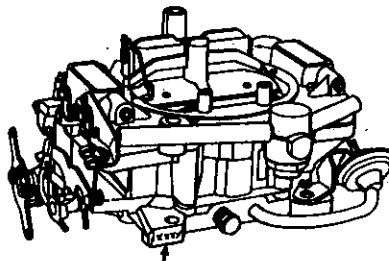
TAG NUMBER

**CARTER 4 BBL, AFB, AVS**



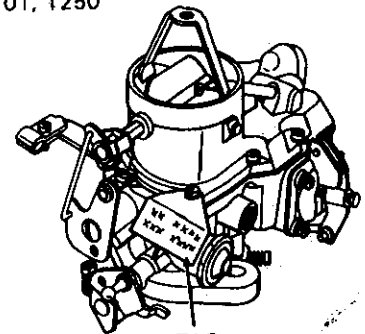
STAMPED NUMBER

**CARTER 4 BBL, TQ THERMOQUAD**



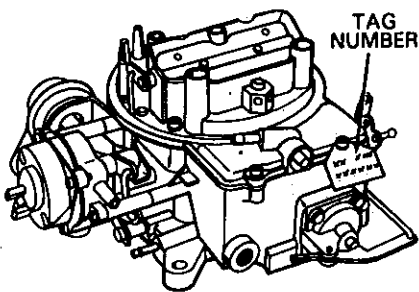
STAMPED NUMBER

**FORD-MOTORCRAFT 1 BBL, 1100, 1101, 1250**



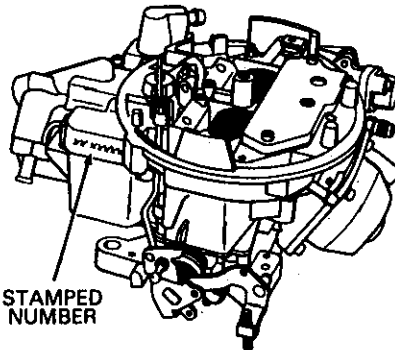
TAG NUMBER

**FORD-MOTORCRAFT 2 BBL, 2100, 2150**



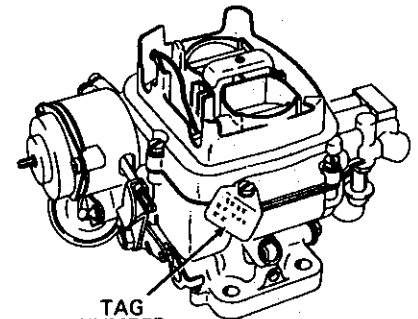
TAG NUMBER

**FORD-MOTORCRAFT 2 BBL, VARIABLE VENTURI, 2700, 7200**



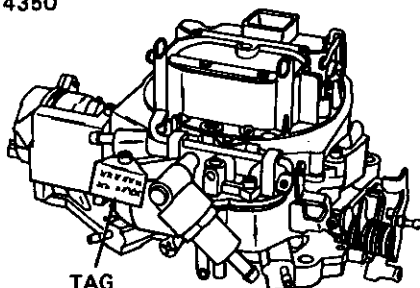
STAMPED NUMBER

**FORD-MOTORCRAFT 2 BBL 740**



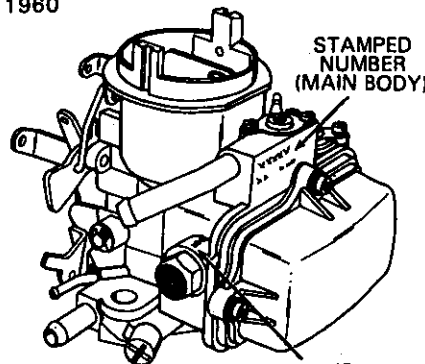
TAG NUMBER

**FORD-MOTORCRAFT 4 BBL, 4300, 4350**



TAG NUMBER

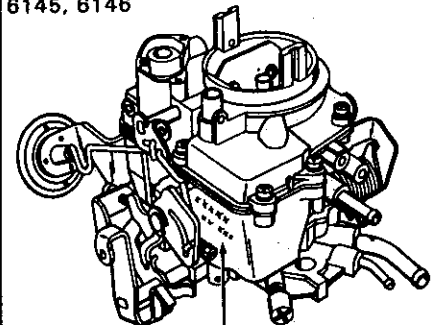
**HOLLEY 1 BBL, 1904, 1908, 1920, 1960**



STAMPED NUMBER (MAIN BODY)

STAMPED NUMBER

**HOLLEY 1 BBL, 1940, 1945, 1946, 6145, 6146**



STAMPED NUMBER